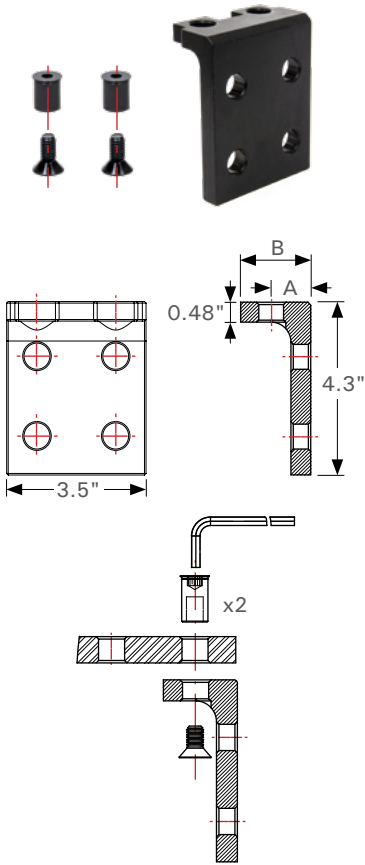


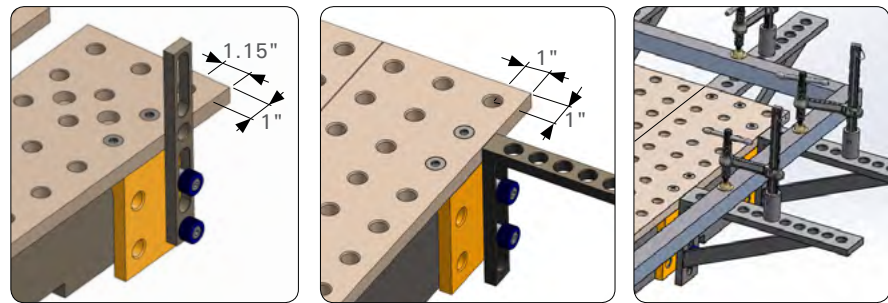
### SIDE BRACKETS

Locate or clamp your weldment at or beyond the table edge, by mounting the Side Bracket at the edge of your BuildPro standard or MAX Welding Table.

Use the Side Bracket to vertically mount clamping elements, such as the Straight Edge Stops or Right Angle Brackets to add greater functionality to your table in fixturing oversized weldments.



| Part No. | A (in) | B (in) | Mounting Location                                | Weight (lb) |
|----------|--------|--------|--|-------------|
| T51825   | 1      | 1.475  | MAX Tables – END or SIDE<br>Slotted Tables - END | 2.5         |
| T51830   | 1.18   | 1.7    | Slotted Tables - SIDE                            | 2.5         |



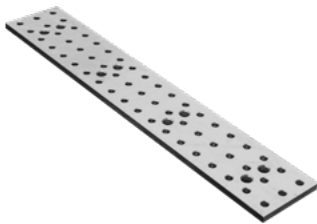
Slotted table shown

MAX table shown

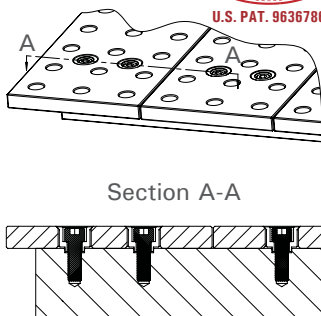
### INDIVIDUAL REVERSIBLE TABLE PLATES

See pg. 5 for information.

\* Mounting hardware sold separately. See pg. 27 for ordering information.



| Part No.      | Finish   | Dimension (in) | Plate Thickness (in) | Weight (lb) |
|---------------|----------|----------------|----------------------|-------------|
| TM59648V-01   | Standard | 48 x 6         | 5/8                  | 45          |
| TM57846SV-01  |          | 46 x 6.3       |                      | 48          |
| TM57838SV-01  |          | 38 x 6.3       |                      | 40          |
| TMQ59648V-01  | Nitrided | 48 x 6         |                      | 45          |
| TMQ57846SV-01 |          | 46 x 6.3       |                      | 48          |
| TMQ57838SV-01 |          | 38 x 6.3       |                      | 40          |



Other applications:

