





PM-230694A 2020-07

Eff. w/Serial Number LG290851B And Following

Processes

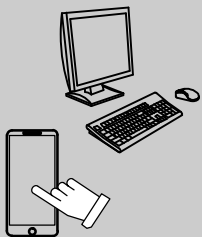
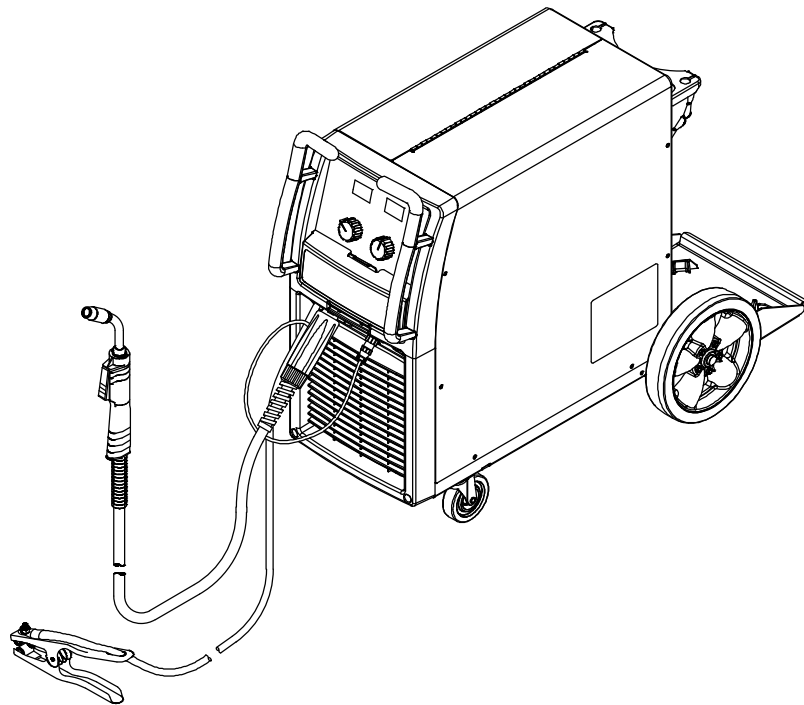
-  MIG (GMAW) Welding
-  Flux Cored (FCAW) Welding

Description



Arc Welding Power Source and Wire Feeder

Millermatic® 252



For product information, Owner's Manual translations, and more, visit

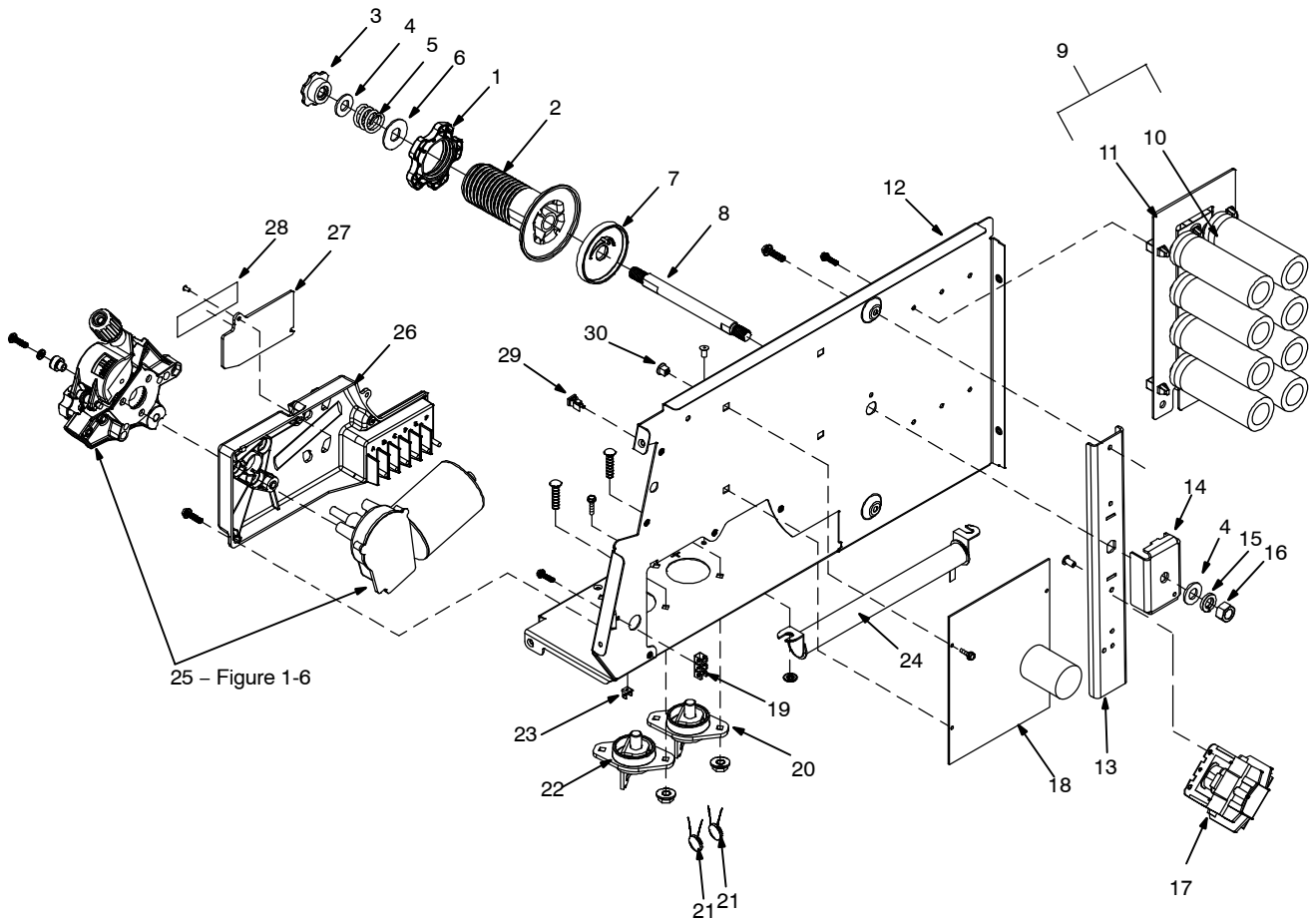
www.MillerWelds.com

PARTS MANUAL

File: MIG (GMAW)



☞ Hardware is common and not available unless listed.



804916-B

Figure 1-3. Baffle, Center w/Components Eff W/Serial No. MK230040N

Item No.	Dia. Mkgs.	Part No.	Description	Quantity
Figure 1-2. Baffle, Center w/Components Eff W/Serial No. MK230040N				
		283969	Kit, Spool Hub (Including)	1
1		280091	Nut, Hub	1
2		279587	Hub, Spool 12 Inch	1
3		279504	Knob, Tensioner 1/2-13 Thread	1
4		602247	Washer, 531 Id x 1.062 Od x .095T Stl Pld Ansi .500	2
5		172918	Spring, Cprsn .845 Od X .110 Wire x 1.500 Pld	1
6		231211	Washer, Anti-Turn	1
7		287119	Washer, Brake Plastic	1
8		271415	Shaft, Support Spool	1
9		185644	Capacitor Assy,	1
10	C5	184584	Capacitor, ELCTLT 15000 uf 45 VDC Can 1.395	8
11		229801	Kit, Capacitor Buss Bar & Insulator	1
12		229623	Baffle, Center	1
		231985	Label, Warning Electric Shock And Pinch (En/Sp)	1
		226658	Label, Polarity/Drive Rolls	1
		153980	Label, Link Arr Pri V 200/230	1
		144916	Label, Link Arr Pri V 230/460/575	1
13		274304	Channel, Support Spool Hub	1
14		274305	Brace, Support Spool Shaft	1
15		602216	Washer, Lock .502 Id x .879 Od x .151T Stl Pld Split .500	1
16		601879	Nut, .500-12 .75 Hex .44H Stl Pld	1
17		252908	Contact, Def Prp 25A 1P 36Vdc Coil	1
18	PC1	249885	Circuit Card Assy, Control (Eff w/MB200507N thru MK290195N) (All Models)	1
18	PC1	249885	Circuit Card Assy, Control (Eff MK290196N and following) (575 Volt Model)	1
18	PC1	280223	Circuit Card Assy, Control (Eff w/MK290196N and following) (208/230 Model)	1
	PLG1	115094	Housing Plug+Skts (Service Kit)	1
	PLG5	130203	Housing Rcpt+Skts (Service Kit)	1
	PLG3	115092	Housing Plug+Skts (Service Kit)	1
	PLG6	115093	Housing Plug+Skts (Service Kit)	1
	PLG7	202592	Housing Plug+Skts (Service Kit)	1
	PLG8	201665	Housing Plug+Skts (Service Kit) (Prior to LK180129N)	1
19		129524	Term, Frict 250x032 Uninsul Male .130 Stud Mtg 3pr	1
20	POS	097421	Terminal, Pwr Output Red	1
21	C1,C2	128750	Capacitor, Cer Disc .1 uf 500 VDC w/Terms	2
22	NEG	097416	Terminal, Pwr Output Black	1
23		600760	Term, Frict 250 x 032 Uninsul Male.130 Stud Mtg 1 Pair	1
24	R1	119998	Resistor, WW Fxd 300 W 5 ohm	1
		252663	Drive Assy, Wire w/Pri Link 3V (Including)	1
		252662	Drive Assy, Wire w/Pri Link 2V (Including)	1
25		Figure 1-6	Motor And Wire Drive Assy	1
26		229630	Housing, Drive Assy/Pri Term Link 2 Voltage (Including)	1
26		229631	Housing, Drive Assy/Pri Term Link 3 Voltage (Including)	1
27		229634	Door, Access Changeover	1
28		231987	Label, Warning High Voltage (En/Sp)	1
29		134201	Stand-off Support, PC Card .312/.375 w/Post&lock .43	3
30		228165	Grommet, Scr No 8 Panel Hole .312 x .343 .515 High	1

+When ordering a component originally displaying a precautionary label, the label should also be ordered.

To maintain the factory original performance of your equipment, use only Manufacturer's Suggested Replacement Parts. Model and serial number required when ordering parts from your local distributor.