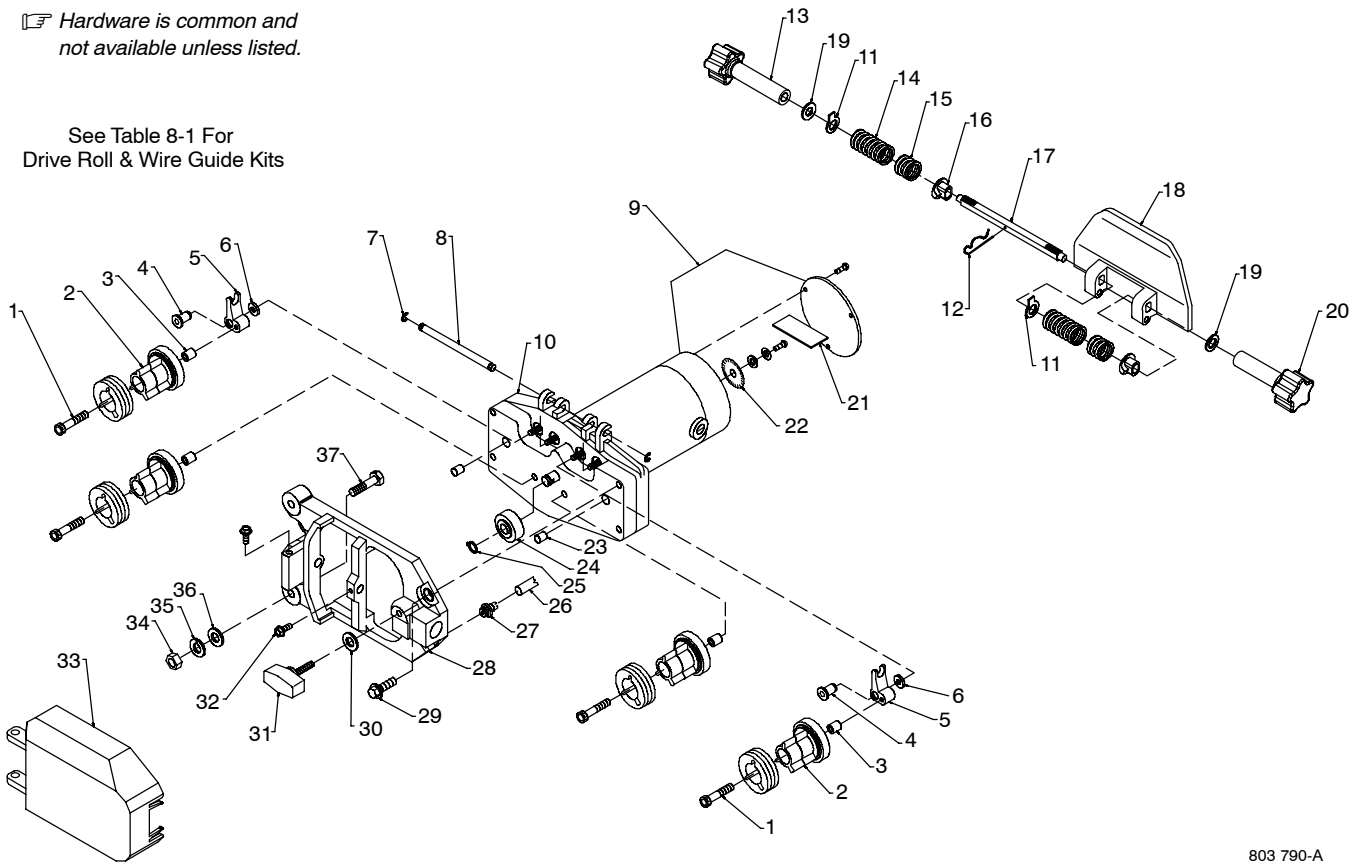


☞ Hardware is common and not available unless listed.

See Table 8-1 For Drive Roll & Wire Guide Kits



803 790-A

Figure 8-3. Drive Assembly, Wire

Item No.	Diagram marking	Part No.	Description	Quantity
----------	-----------------	----------	-------------	----------

Figure 8-3. Drive Assembly, Wire (Figure 8-1 Item 4)

...	1	010 668	.. Screw, Cap Stl Sch .250-20 X 1.500	4
...	2	172 075	.. Carrier, Drive Roll W/Components	4
...	3	149 962	.. Spacer, Carrier Drive Roll	4
...	4	149 486	.. Pin, Rotation Arm Rocker	2
...	5	132 750	.. Arm, Pressure	2
...	6	150 520	.. Spacer, Flat Stl .257 Id X .619 Od X .105	2
...	7	133 493	.. Ring, Retaining Ext .250 Shaft X .025thk	2
...	8	133 350	.. Pin, Hinge	1
...	9	M1	.. Motor, Gear 1/8Hp 24VDC Standard Speed	1
...		153 491	.. Kit, Brush Replacement (Consisting Of)	1
...		153 492 Cap, Brush	2
...		*153 493 Brush, Carbon	2
...		184 137 Holder, Brush And Retaining Clip	2
...	10	155 098	.. Kit, Cover Motor Gearbox (Consisting Of)	1
...		153 550 Cover, Motor Gearbox (Consisting Of)	1
...		155 099 Gasket, Cover	1
...		155 100 Screw, Cover	5
...		167 387 Spacer, Locating	2
...		133 493 Ring, Rtnng Ext .250 Shaft Grv X .025Thk	1

Item No.	Diagram marking	Part No.	Description	Quantity
----------	-----------------	----------	-------------	----------

Figure 8-3. Drive Assembly, Wire (Continued)

...		203 631	.. Pressure Arm, S/L & Vert S/R 4 Roll (Consisting Of)	1
11		203 641 Washer, Flat Indicator Spring Tension	2
12		182 415 Pin, Cotter Hair	1
13		203 640 Knob, W/Extension Short Pressure Arm	1
14		182 156 Spring, Cprsn	2
15		182 155 Spring	2
16		132 746 Bushing, Spring	2
17		203 633 Shaft, Spring	1
18		203 632 Carrier, Shaft Dual Knob	1
19		133 739 Washer, Flat Buna .375 Id X .625 Od X .062Thk	2
20		203 637 Knob, W/Extension Long Pressure Arm	1
21	PC51	201 225	.. Circuit Card, Digital Tach (Consisting Of)	1
	PLG5	131 204 Connector & Sockets	1
		604 311 Grommet, Rbr .250 Id X .375Mtg Hole .062 Groove	1
22		132 611	.. Optical Encoder Disc	1
		603 115	.. Weather Stripping, Adh .125 X .375	1
23		167 387	.. Spacer, Locating	2
24		168 825	.. Drive, Pinion	2
25		133 308	.. Ring, Retaining Ext .375 Shaft X .025Thk	1
26		134 834	.. Hose, Sae .187 Id X .410 Od (Order By Ft)	2 Ft (0.6 m)
27		149 959	.. Fitting, Brs Barbed M 3/16Tbg X .312-24	1
28		179 265	.. Adapter, Gun/Feeder	1
29		108 940	.. Screw, Cap Stl Hexhd .250-20 X .750	4
30		604 538	.. Washer, Flat Stl Sae .312	1
31		151 437	.. Knob, Plstc T 1.125 Lg X .312-18 X 1.500	1
32		185 624	.. Screw, 010-32x .50 Hexwhd.40d Stl Pld Slffmg Trilob	2
33		179 277	.. Cover, Drive Roll (Consisting Of)	1
		196 956 Label, Warning Electric Shock	1
34		601 872	.. Nut, Stl Hex Full Fnsh .375-16	1
35		602 213	.. Washer, Lock Stl Split .375	1
36		010 910	.. Washer, Flat .406idx0.812odx.065T Stl Pld Ansi.375	1
37		601 966	.. Screw, Cap Stl Hexhd .375-16 X 1.250	1

*Recommended Spare Parts.

To maintain the factory original performance of your equipment, use only Manufacturer's Suggested Replacement Parts. Model and serial number required when ordering parts from your local distributor.