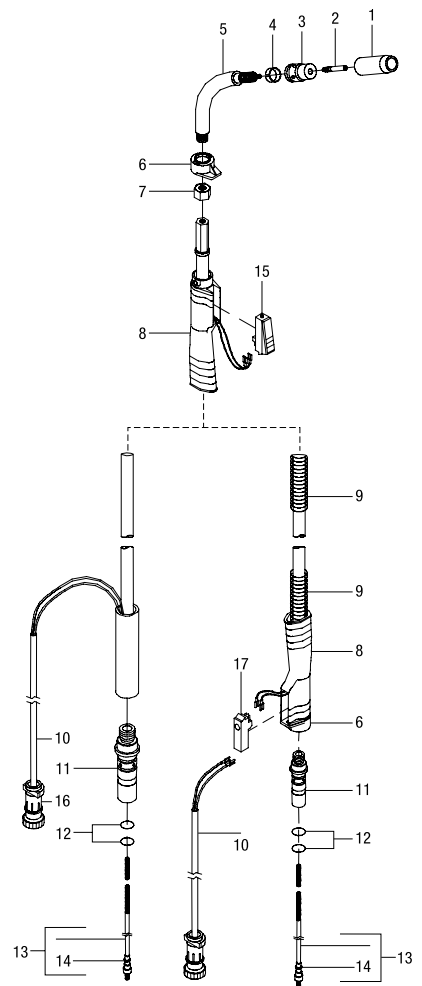


M-10/M-15 Service Parts/Consumables

Item #	Part #	Description	Quantity	
			M-10	M-15
	195605 (N/A)	M-10 Gun, 10 ft (3 m), 100A, .030-.035 (0.8-0.9 mm)		
	169589 (N/A)	M-15 Gun, 10 ft (3 m), 150A, .030-.035 (0.8-0.9 mm)		
	169591 (N/A)	M-15 Gun, 12 ft (3.7 m), 150A, .030-.035 (0.8-0.9 mm)		
	169593 (N/A)	M-15 Gun, 15 ft (4.6 m), 150A, .030-.035 (0.8-0.9 mm)		
1	169715	Nozzle, slip type, .500 (12.7 mm) orf flush	1	1 (2 per pkg)
	226190	Nozzle, slip type, flux cored	1	1
2	087299	Tip, contact scr, .023 (0.6 mm) wire x 1.125	1	1 (10 per pkg)
	000067	Tip, contact scr, .030 (0.8 mm) wire x 1.125	1	1 (10 per pkg)
	000068	Tip, contact scr, .035 (0.9 mm) wire x 1.125	1	1 (10 per pkg)
	000069	Tip, contact scr, .045 (1.2 mm) wire x 1.125	1	1 (10 per pkg)
3	169716	Adapter, contact tip	1	1 (2 per pkg)
4	170470	Ring, retaining	1	1
5	169718	Tube, head	1	1
6	169738	Nut, locking handle	1	2
7	169719	Nut, jam (gun end)	1	1
8	169737	Handle	1	2
9	169741 (N/A)	Strain Relief, cable	—	2
10	227800	Cord Assembly with ends	1	1
11	209495	Connector, feeder—M-10 (includes) NA	1	—
11	209486 (N/A)	Connector, feeder—M-15 (includes)	—	1
12	079974	O-Ring, .500 ID x .103CS rbr	2	2
13	194010	Kit, liner monocoil .023/.025 (0.6 mm) wire x 15 ft (includes)	1	1
13	194011	Kit, liner monocoil .030-.035 (0.8-0.9 mm) wire x 15 ft (includes)	1	1
14	079975	O-Ring, .187 ID x .103CS rbr	1	1
15	227798	Switch, Red trigger	1	1
16	079878	Housing Plug and Pins	1	—
	079531	Connector, circ cpc clamp str rlf	1	—
17	169736	Terminal Block	—	1



M-10 Gun

M-15 Gun

M-Series MIG Guns

*For a detailed listing, please reference page 12.

Model	Stock #	Length	Rating and Duty Cycle (CO ₂) ¹	Wire Size (INCHES)	Wire Size (mm)
M-80	273618 ⁴	8 ft (2.4 m)	100 A at 100% Duty Cycle	.023-.045 in	(0.6 to 1.1 mm)
M-100	248282	10 ft (3 m)	100 A at 100% Duty Cycle	.030-.035 in	(0.8-0.9 mm)
	220606 ²				
M-150	249039	10 ft (3 m)	150 A at 100% Duty Cycle	.030-.035 in	(0.8-0.9 mm)
	249040	12 ft (3.7 m)			
	249041	15 ft (4.6 m)			
M-25	169594	10 ft (3 m)	250 A at 100% Duty Cycle	.030-.035 in	(0.8-0.9 mm)
	169596	12 ft (3.7 m)			
	194805 ³	12 ft (3.7 m)			
	169598	15 ft (4.6 m)			
	169599	15 ft (4.6 m)	250 A at 100% Duty Cycle	.035-.045 in	(0.9-1.2 mm)

¹60% with mixed gases

²220606 is an M-100 gun with friction terminals for the Miller® Cricket.®

³194805 is an M-25 gun with friction lugs for the Hobart Beta-MIG 2510.

⁴273618 is an M-80 gun for the Millermatic® 125 Hobby.



M-Series Consumable Kits

(234607, 234608, 234609)

To better serve you, Miller® has introduced six improved, affordable MIG consumable kits that are compatible with the M-Series guns. Each kit contains consumables that are specific to your welding application, including gun type and wire size.

- 234607—M-10/15, M-100/150 Gun, .023" Wire
- 234608—M-10/15, M-100/150 Gun, .030" Wire
- 234609—M-10/15, M-100/150 Gun, .035" Wire

Consumable Kits 234607, 234608 and 234609 contain 10 contact tips, 1 nozzle and 1 contact tip adapter.

- 234610—M-25 Gun, .030" Wire
- 234611—M-25 Gun, .035" Wire
- 234612—M-25 Gun, .045" Wire

Consumable kits 234610, 234611 and 234612 contain 10 contact tips, 1 nozzle, 1 contact tip adapter and 1 nozzle adapter.

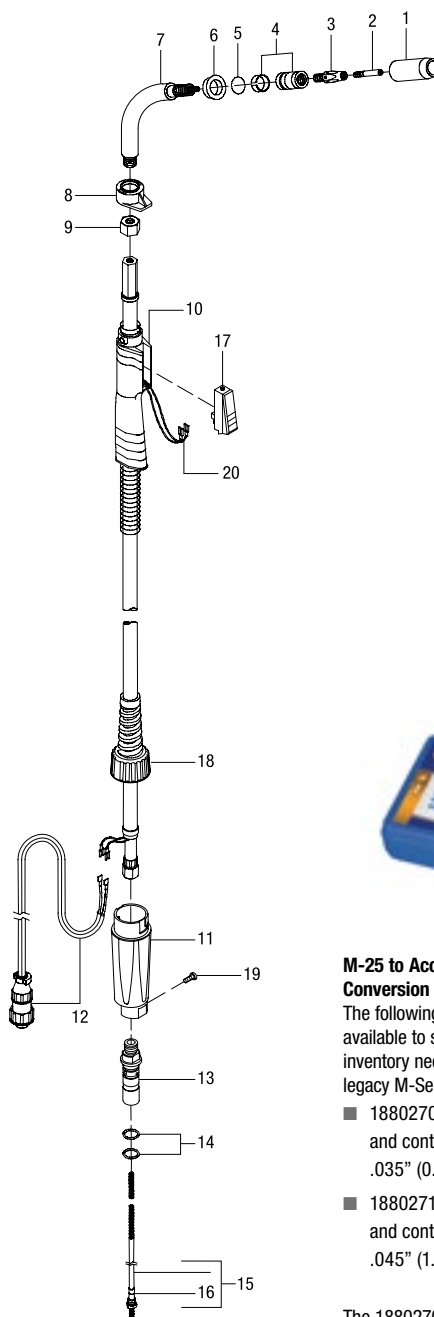
M-25 Service Parts/Consumables

Item #	Part #	Description	Quantity
	169594 (N/A)	M-25 Gun, 10 ft (3 m), 250A, .030-.035 (0.8-0.9 mm)	
	169596 (N/A)	M-25 Gun, 12 ft (3.7 m), 250A, .030-.035 (0.8-0.9 mm)	
	169598 (N/A)	M-25 Gun, 15 ft (4.6 m), 250A, .030-.035 (0.8-0.9 mm)	
	169599 (N/A)	M-25 Gun, 15 ft (4.6 m), 250A, .035-.045 (0.9-1.2 mm)	
1	169724	Nozzle, slip type, .500 (12.7 mm) orf .125 recess	1
	169725 ¹	Nozzle, slip type, .625 (15.9 mm) orf .125 recess	1
	200258	Nozzle, slip type, .500 (12.7 mm) orf flush	1
	169726 ²	Nozzle, slip type, .625 (15.9 mm) orf flush	1
	169727	Nozzle, slip type, .625 (15.9 mm) orf .125 stickout	1
2	087299	Tip, contact scr, .023 (0.6 mm) wire x 1.125	1 (10 per pkg)
	000067	Tip, contact scr, .030 (0.8 mm) wire x 1.125	1 (10 per pkg)
	000068	Tip, contact scr, .035 (0.9 mm) wire x 1.125	1 (10 per pkg)
	000069	Tip, contact scr, .045 (1.2 mm) wire x 1.125	1 (10 per pkg)
	172034 ¹	Tip, contact scr 3/64 (1.19 mm) wire x 1.125	1 (10 per pkg)
3	169728	Adapter, contact tip	1 (2 per pkg)
4	169729	Adapter, nozzle	1 (2 per pkg)
5	170468	O-Ring	1 (10 per pkg)
6	169730	Washer, shock	1
7	169731	Tube, head	1
8	169738	Nut, locking handle	2
9	169732	Nut, jam	1
10	169737	Handle, front	1
11	227799	Handle, rear	1
12	227800	Cord, trigger assembly	1
13	209495	Connector, feeder (includes)	1
14	079974	O-Ring, .500 ID x .103CS rbr	2
15	194010	Kit, liner monocoil	1
		.023/.025 (0.6 mm) wire x 15 ft (includes)	
15	L3B-10	Kit, liner monocoil	1
		.030-.035 (0.8-0.9 mm) wire x 15 ft (includes)	
15	194012	Kit, liner monocoil	1
		.035-.045 (0.9-1.2 mm) wire x 15 ft (includes)	
15	194014 ¹	Kit, liner monocoil	1
		3/64 (1.19 mm) aluminum wire x 15 ft (includes)	
16	079975	O-Ring, .187 ID x .103CS rbr	1
17	227798	Switch, trigger	1
18	2520033	Cable strain relief 2 & 3	1
19	7000015	Screw	1
20	169746	Terminal	1

¹Included with 172136 Kit, Aluminum Conversion .047 in (1.2 mm)

²Standard on all guns

See page 12 for consumables kits



M-25 Gun

M-25 to AccuLock™ Nozzles and Contact Tips Conversion Kits

The following AccuLock™ conversion kits are available to streamline the MIG gun consumables inventory needed to support a mixed fleet of legacy M-Series and MDX MIG guns.

- 1880270 – M-25 to AccuLock MDX nozzles and contact tips, .030" (0.8 mm), .035" (0.9 mm) and .045" (1.2 mm) Wire
- 1880271 – M-25 to AccuLock S nozzles and contact tips, .035" (0.9 mm) and .045" (1.2 mm) Wire

The 1880270 conversion kit contains 1 conversion gas diffuser, 15 contact tips, 1 nozzle and 1 insulator cap.

The 1880271 conversion kit contains 1 conversion gas diffuser, 10 contact tips, 1 nozzle and 1 insulator cap.

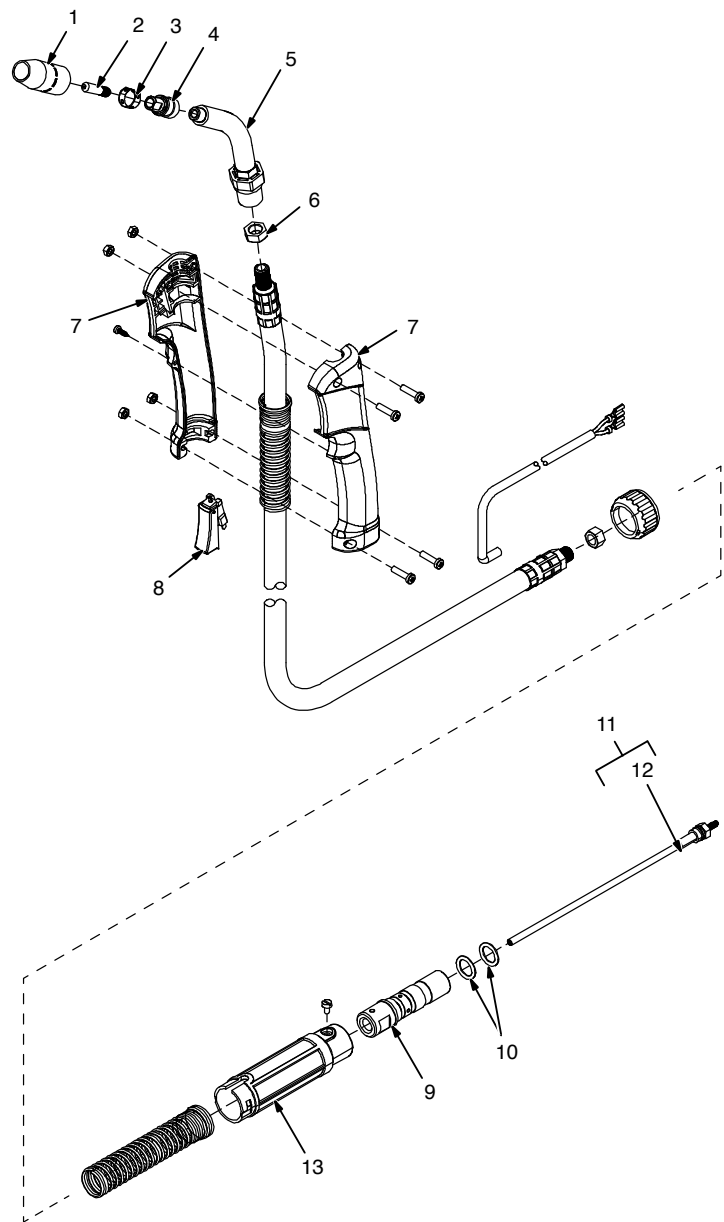
IMPORTANT: Only the AccuLock diffuser, AccuLock nozzles and AccuLock contact tips can be upgraded on legacy M-Series guns. Customers must continue to use the original liners and power pins.



M-80 Service Parts/Consumables

Item #	Part #	Description	Quantity
	273618	M-80 Gun, 8 ft (2.4 m), 100A, .030-.035 (0.8-0.9 mm)	
1	246372	Nozzle, slip type .500 orf flush	1
1	226190	Nozzle, flux cored slip type	1
2	087299	Tip, contact scr, .023 (0.6 mm) wire x 1.125	1
2	000067	Tip, contact scr, .030 (0.8 mm) wire x 1.125	1
2	000068	Tip, contact scr, .035 (0.9 mm) wire x 1.125	1
2	000069	Tip, contact scr, .045 (1.2 mm) wire x 1.125	1
3	170470	Ring, retaining	1
4	169716	Adapter, contact tip	1
5	246373	Tube, head	1
6	243865	Nut, jam	2
7	246082	Handle	1
8	246376	Switch, trigger	1
9	242833	Connector, feeder	1
10	079974	O-Ring, .50 ID X .103CS rbr	2
11	194010	Liner, monocoil .023/.025 (0.6 mm) wire x 15 ft (includes)	1
11	194011	Liner, monocoil .030-.035 (0.8-0.9 mm) wire x 15 ft (includes)	1
11	194012	Liner, monocoil .035-.045 (0.9-1.2 mm) wire x 15 ft (includes)	1
12	079975	O-Ring, .187 ID x .103CS rbr	1
13	246380	Housing, power pin M-100	1

See page 12 for consumables kits



M-100/M-150 Service Parts/Consumables

Item #	Part #	Description	Quantity	
			M-100	M-150
	248282	M-100 Gun, 10 ft (3 m), 100A, .030-.035 (0.8-0.9 mm)		
	249039	M-150 Gun, 10 ft (3 m), 150A, .030-.035 (0.8-0.9 mm)		
	249040	M-150 Gun, 12 ft (3.7 m), 150A, .030-.035 (0.8-0.9 mm)		
	249041	M-150 Gun, 15 ft (4.6 m), 150A, .030-.035 (0.8-0.9 mm)		
1	246372	Nozzle, slip type, .500 (12.7 mm) orf flush	1	1 (2 per pkg)
	226190	Nozzle, slip type, flux cored	1	1
2	087299	Tip, contact scr, .023 (0.6 mm) wire x 1.125	1	1 (10 per pkg)
	000067	Tip, contact scr, .030 (0.8 mm) wire x 1.125	1	1 (10 per pkg)
	000068	Tip, contact scr, .035 (0.9 mm) wire x 1.125	1	1 (10 per pkg)
	000069	Tip, contact scr, .045 (1.2 mm) wire x 1.125	1	1 (10 per pkg)
3	170470	Ring, retaining	1	1
4	169716	Adapter, contact tip	1	1 (2 per pkg)
5	246373	Tube, head	1	1
6	243865	Nut, jam	2	2
7	246082	Handle	1	1
8	246376	Switch, Blue trigger	1	1
9	079878	Housing Plug and Pins	1	1
10	242833	Connector, feeder	1	1
11	079974	O-Ring, .500 ID x .103CS rbr	2	2
12	194010	Kit, liner monocoil, .023/.025 (0.6 mm) wire x 15 ft (includes)	1	1
	194011	Kit, liner monocoil, .030-.035 (0.8-0.9 mm) wire x 15 ft (includes)	1	1
	194012	Kit, liner monocoil, .035-.045 (0.9-1.2 mm) wire x 15 ft (includes)	1	1
13	079975	O-Ring, .187 ID x .103CS rbr	1	1
14	246380	Housing, power pin	1	1

M-100 and M-150 to AccuLock™ Nozzles and Contact Tips Conversion Kits

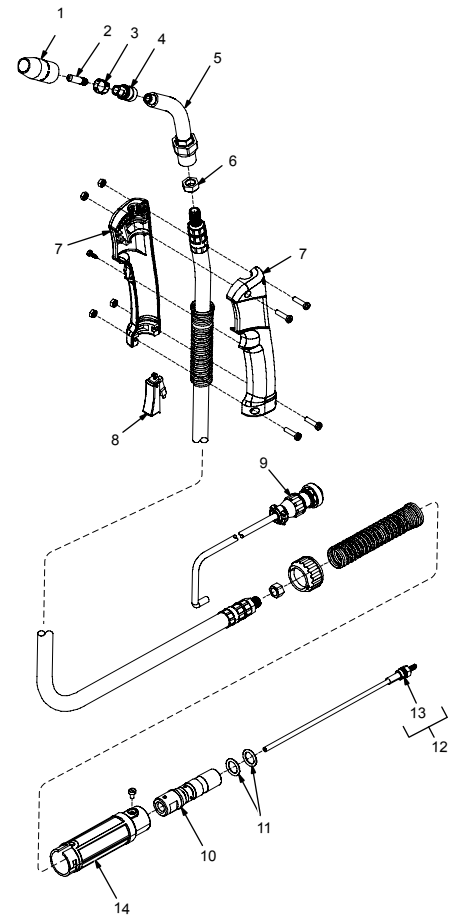
The following AccuLock™ conversion kits are available to streamline the MIG gun consumables inventory needed to support a mixed fleet of legacy M-Series and MDX MIG guns.

- 1880269 – M-100/M-150 to AccuLock MDX nozzles and tips, .030" (0.8 mm) and .035" (0.9 mm) Wire

The above conversion kit contains 1 conversion gas diffuser, 10 contact tips and 1 nozzle

IMPORTANT: Only the AccuLock diffuser, AccuLock nozzles and AccuLock contact tips can be upgraded on legacy M-Series guns. Customers must continue to use the original liners and power pins.

See page 14 for consumables kits



Optional M-Series Gun Nozzles and Tips

Part #	Description	Quantity
	M-25 and M-40 Tapered Nozzles	
176243	Nozzle, Tapered 3/8 in (9.5 mm)	1
178386	Nozzle, Tapered 11/32 in (8.7 mm)	1
	M-25 and M-40 Tapered Contact Tips (1/4 in OD x 1.312 in)	
176797	Contact Tip, Tapered .030 in (0.8 mm)	10
176793	Contact Tip, Tapered .035 in (0.9 mm)	10
176794	Contact Tip, Tapered .045 in (1.2 mm)	10
	M-25 and M-40 Heavy-Duty Spray Contact Tips (5/16 in OD x 1.125 in)	
187117	Contact Tip, Heavy Duty .035 in (0.9 mm)	25
187118	Contact Tip, Heavy Duty .045 in (1.2 mm) - N/A	25



Aluminum Adapter Kit 202895

Steel wrapped nylon liner allows 10 ft Roughneck welding guns to feed 3/64–1/16 in (1.2–1.6 mm) aluminum wire.

Note: For a complete listing of Roughneck consumables see page 22.

Please see chart to the right for a complete listing of replacement Roughneck C-Series MIG Guns with Bernard BTB MIG Guns.

Roughneck MIG Gun Replacement

Stock No.	Model No.	Length	Replaced by Bernard BTB MIG Guns
194751	C-3010	10 ft (3m)	Q3010TE5EMC
194752	C-3012	12 ft (3.7m)	Q3015TE5EMC
194753	C-3015	15 ft (4.6m)	Q3015TE5EMC
194754	C-4010	10 ft (3m)	Q4010TE5EMC
194755	C-4012	12 ft (3.7m)	Q4015TE5EMC
194756	C-4015	15 ft (4.6m)	Q4015TE5EMC
194757	C-5010	10 ft (3m)	S5015GH5IMC
194758	C-5012	12 ft (3.7m)	S5012GH5IMC
194759	C-5015	15 ft (4.6m)	S5015GH5IMC

Roughneck® C-Series Service Parts/Consumables

Item #	Part #	Description	Quantity
1	198855	Nozzle, scr type copper 5/8 in orifice	1
	199618	Nozzle, scr type copper 5/8 in orifice heavy-duty	1
2	223018	Tip, contact, .045 in (1.2 mm) heavy-duty FasTip™	1 (10 per pkg)
	206188	Tip, contact, .045 in (1.2 mm) heavy-duty FasTip™	1 (25 per pkg)
	223200	Tip, contact, 1/16 in (1.6 mm) heavy-duty FasTip™	1 (10 per pkg)
	206190	Tip, contact, 1/16 in (1.6 mm) heavy-duty FasTip™	1 (25 per pkg)
3	206195	Diffuser, gas 1/8 in tip recess – for standard and heavy-duty FasTip™	1
4	202889	Liner, monocoil .023–.030 wire x 15 ft round wound	1
	202890	Liner, monocoil .035–.045 wire x 15 ft round wound	1
	202891	Liner, monocoil .052–1/16 wire x 15 ft round wound	1
	202892	Liner, monocoil 1/16–.078 wire x 15 ft flat wound	1
	202893	Liner, monocoil 5/64–3/32 wire x 15 ft flat wound	1
	202894	Liner, monocoil 7/64–1/8 wire x 15 ft flat wound	1
	202895	Liner, monocoil 3/64–1/16 wire x 15 ft aluminum wires	1
5	199625	Gooseneck, jacketed 4.5 in/50° wrench swivel (C-30 / C-40) (includes)	1
	199626	Gooseneck, jacketed 6 in/50° wrench swivel (C-50) (includes)	1
	199627	Gooseneck, jacketed 8 in/50° wrench swivel (C-60) (includes)	1
	213450	Gooseneck, jacketed 6 in/straight (optional for C-30 / C-40 / C-50 / C-60) (includes)	1
6	198856	Insulator, rubber	1
7	202292	Cover, nut	1
8	199630 (N/A)	Handle, small pair flared P style (C-30 / C-40 includes)	1
8	199631 (N/A)	Handle, large pair (C-50 / C-60 includes)	1
	199634 (N/A)	Screw, M3 x 11 (for 199630 C-30 / C-40 Handle only)	1
	199635	Nut, M3 Hex (for 199630 C-30 / C-40 Handle only)	1
	199632	Screw, M4 x 18	4
	199633	Nut, M4 square	4
	199647 (N/A)	Label, gun handle Miller® Roughneck	2
9	177488H	Switch, blue trigger	1
	MS2110 (N/A)	Switch, locking trigger (optional)	1
10	199629	Switch, contact pin	2
11	079531	Conn, circ cpc clamp str rlf size 11.453 OD	1
12	079878	Housing plug + pins (service kit)	1
13	199637	Screw, machine binding head	1
14	199640 (N/A)	Adapter, Miller® power pin (includes)	1
15	079974	O-ring, Miller® power pin	2
16	2520033	Cable Strain Relief 2 & 3 (300 Amp)	1
	2520041 (N/A)	Strain Relief Assembly – Contact Bernard (400, 500, 600 Amp)	
17	GN2021	Electrical Plug – Non D/S (Includes items 11 & 12)	1
18	227650	Strain Relief, Rear (works on all Amp guns)	1

