

# Classic® No. 3 300 Amp MIG Gun



**60% Duty Cycle - CO<sub>2</sub> Carbon Dioxide**  
 Suitable for Medium/Heavy Duty Fabrication.

**WELDING PROCESSES:**  
 MIG (GMAW), Aluminum (GMAW)

**Standard Options Include:**

- Rear Connector
- Standard Conductor Tube – Part No. 63J-60 (Stock No. 1630-1111) on all guns up to 15 ft (4.6 m)
- Part No. 63J-45 (Stock No. 1630-1110) on all guns over 15 ft (4.6 m)
- Conduit Liner – 44 Series

## Tweco® Style Rear Connector

Adapter kits are available to fit Tweco rear connection to most wire feeders

Wire Size	Length	Part No.	Stock No.
Up To .045" (1.2 mm)	10 ft (3 m)	310-3545	1030-1101
	12 ft (3.6 m)	312-3545	1030-1102
	15 ft (4.6 m)	315-3545	1030-1103
	20 ft (6.1 m)	320-3545	1030-1104
Up To 1/16" (1.6 mm)	25 ft (7.6 m)	325-3545	1030-1105
	15 ft (4.6 m)	315-116	1030-1113
	25 ft (7.6 m)	325-116	1030-1115

Wire Size	Length	Part No.	Stock No.
Up To .045" (1.2 mm)	10 ft (3 m)	L310-3545	1030-1140
	12 ft (3.6 m)	L312-3545	1030-1143
	15 ft (4.6 m)	L315-3545	1030-1146

Some Lincoln wire feeders are assembled with their K1500-2 gun receiving bushing that will accept Tweco Style MIG Guns direct from the factory. Control wire Part No. MS354-DSLJ (Stock No. 2060-2137) must be ordered separately.

## Euro-Kwik Style Rear Connector

Wire Size	Length	Part No.	Stock No.
Up To .045" (1.2 mm)	10 ft (3 m)	X310-3545	1030-1601
	12 ft (3.6 m)	X312-3545	1030-1602

## Miller® Style Rear Connector

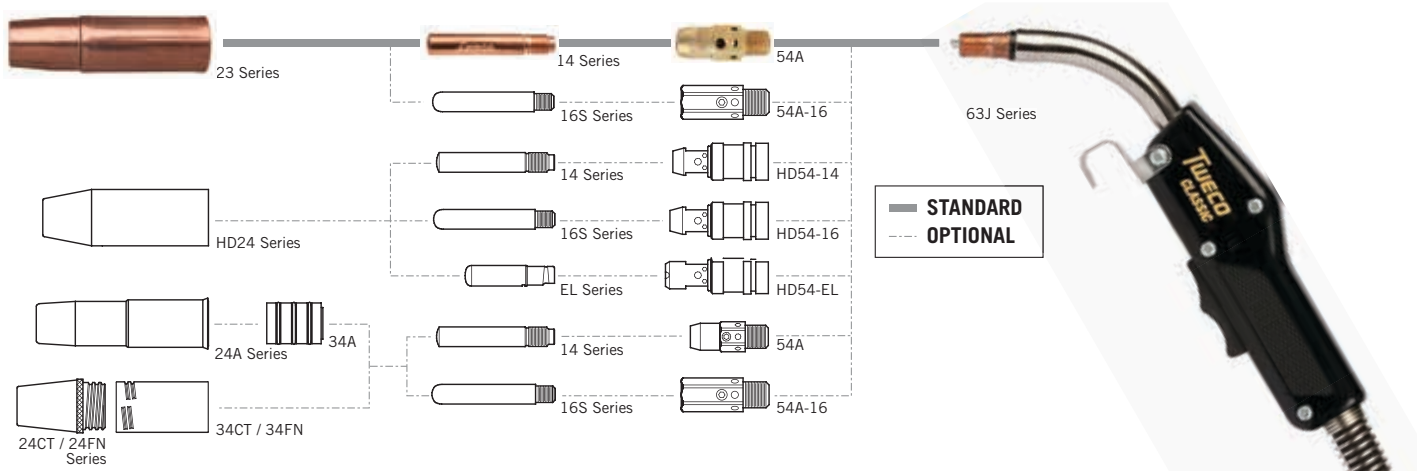
Wire Size	Length	Part No.	Stock No.
Up To .045" (1.2 mm)	10 ft (3 m)	M310-3545	1030-1130
	12 ft (3.6 m)	M312-3545	1030-1133
	15 ft (4.6 m)	M315-3545	1030-1136
Up To 1/16" (1.6 mm)	15 ft (4.6 m)	M315-116	1030-1137

## Flexible Knucklehead™

Amp/ Model	Bend Angle	Stand Cons.	Part No.	Stock No.
No.3	60°	▪	64SFLX3-60	1640-1112

## Lincoln® Style Rear Connector

Fits Lincoln LN7, 8, 9, SP200



Rated Output			Wire Size	Cooled	Application Usage
Amps	Duty Cycle	Gas			
300 Amps	60%	CO <sub>2</sub> Carbon Dioxide	Up To 1/16" (1.6 mm)	Air	Medium/Heavy Duty Fabrication

**EASY FIND EASY FIND GUIDE**  
 See Page 33 & 34 for Replacement Parts & Optional Accessories

Miller is a registered trademark of Illinois Tool Works, Inc. Lincoln is a registered trademark of Lincoln Electric Co. The aforementioned registered trademarks are in no way affiliated with Tweco. Tweco is registered trademark of ESAB.